

SPARE PARTS LISTING

Speedy Rain 300P Piston Drive Hose Reel Irrigator Model 32/90



Parts List Issued September 2011

JAVELIN
IRRIGATION SYSTEMS LIMITED

The Pump House, Belvoir Way, Fairfield Industrial Estate, Louth, Lincolnshire, LN11 0YA, England.

Tel: +44 (0)1507 607175 - Fax: +44 (0)1507 607521

Email: sales@javelinirrigation.co.uk

www.javelinirrigation.co.uk

RM Speedy Rain 300P

PET Hose 32mm x 90 metres

Nozzle	Pressure		Flow Capacity		Irrigated Strip			Rewinding Speed (metres per hour)				
	At Machine	At Sprinkler	ltr/sec	m ³ /hr	Throw Radius	Throw Diameter	Suggested	10	15	20	25	30
mm	bar	bar			mtr	mtr	85% mtr					
6	2	1.5	0.47	1.68	13	26	22.1	7.6	5.1	3.8	3.0	2.5
	2.7	2	0.53	1.92	14.5	29	24.7	7.8	5.2	3.9	3.1	2.6
	5.2	4	0.75	2.7	17.5	35	29.8	9.1	6.1	4.5	3.6	3.0
7	2.4	1.5	0.62	2.22	14	28	23.8	9.3	6.2	4.7	3.7	3.1
	3.1	2	0.7	2.52	15	30	25.5	9.9	6.6	4.9	4.0	3.3
	6.1	4	1.0	3.6	18.5	37	31.5	11.4	7.6	5.7	4.6	3.8

NOTES

** Standard nozzle supplied in Komet F43 sprinkler

- NOTES**
- A. Typically a minimum water pressure of 3.5 bar is required for correction operation of the 32/90 irrigator.
 - B. A quantity of water is exhausted from piston to complete each cycle, approximately 451 litres total over 90 metre irrigation run.
 - C. These figures are for guidance purposes only.

Javelin Irrigation Systems Ltd

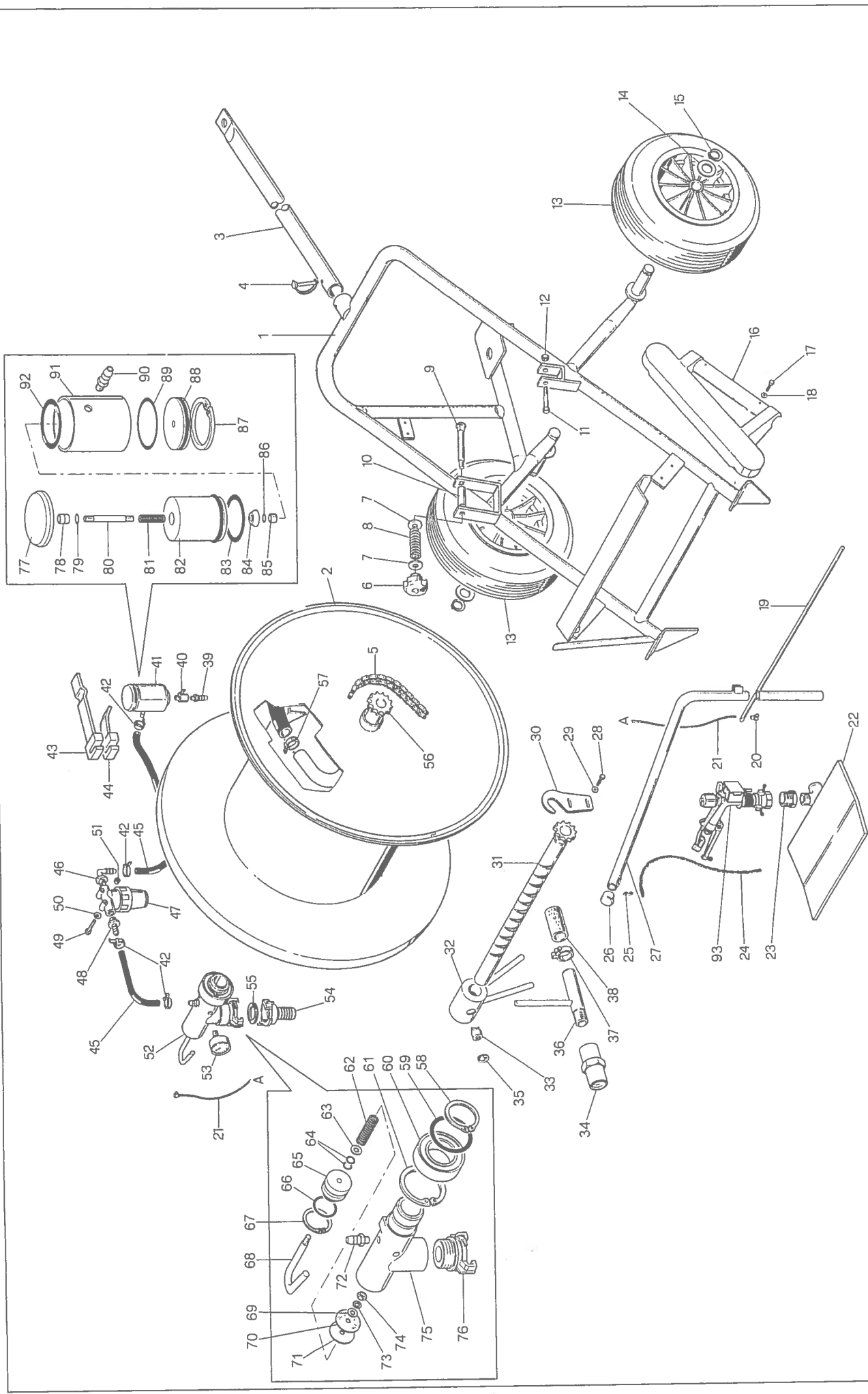
The Pump House, Belvoir Way, Fairfield Industrial Estate, Louth, Lincs, LN11 0YA

Tel 01507 607175

Fax 01507 607521


Email sales@javelinirrigation.co.uk

Web www.javelinirrigation.co.uk



Pag. 101

IRRIGATORE SEMOVENTE "SPEEDY RAIN" MOD. 300 32/90
 SELF-PROPELLED SPRINKLER "SPEEDY RAIN" MODEL 300 32/90
 IRRIGATEUR AUTOMOTEUR "SPEEDY RAIN" MODÈLE 300 32/90
 SELBSTFAHRENDER BEWASSERUNGSAPPARAT "SPEEDY RAIN" MOD. 300 32/90
 ZELFRUJANDE SPROEIER "SPEEDY RAIN" TYPE 300 32/90


 S. Quirico di Tre Casali
 (PARMA) ITALIA

RM SPA
Via Provinciale per Cremona 41 - Fraz. San Quirico
43010 Trecasali (PR)
Tel 0521 872221 - Fax 0521 874027
Cod. Fisc e Part.IVA 00153210349

Controllo Esploso 10/0000068

Stampa del 29/07/2011

Data Creazione 31/12/2010

Data Ult. Modifica 29/07/2011 Ora 09:54

Esploso 1030032090
MACCHINA IRRIGAT. SPEEDY RAIN 300 GARD.32/90 (d.1/1/2000)

Note

POS. Pos. Pos. Pos.	PAG. Page Page Seite Pagina	DENOMINAZIONE Appelation Denomination Bezeichnung Denombroclon	U.M.	N.PEZZI N.Pièces N.Pieces N.Teile N.Piez	CODICE Code Code Kode Codigo	NOTE Annotation Note Aufzeichnung Nota
1	101	TELAIO MOD. 300 32/90	n	1,00	3001001	
2	101	BOBINA SPEEDY MOD.300	n	1,00	3001002	c.56
3	101	TIMONE 300 32/90 ZINC.	n	1,00	3000019Z	
4	101	SPINA PER MOTOZAPPA D.8 X 70 SM 108050 AGRIMEX	n	1,00	3000117	
5	101	CATENA PTN 3/8" S	m	0,96	4000101	ml.
6	101	VOLANTINO ZIGR. Ø 8 FEMM.PASS.Ø 40 EST. VALPA 1052/FPØ40	n	1,00	3000115	
	101	RONDELLA 9X24 ZINCATA	n	2,00	3000113	
8	101	MOLLA ZINCATA	n	1,00	3000017	
9	101	VITE M8X160 UNI 5732 ZNC	n	1,00	3000114	
10	101	DISTANZIALE IN PVC	n	1,00	3000015	
11	101	VITE M10X60 T.E. ZINCATA	n	1,00	3000124	
12	101	DADO AUTOBLOCCANTE M10	n	1,00	3000125	
13	101	RUOTA 4.008.2PR RIGATA-CERCHIO NYLON NERO MALZ S4403012.00005010	n	2,00	3000112	
14	101	RONDELLA ZINCATA 26 X 44 X 3.5	n	2,00	3000126	
15	101	SEEGER E 25	n	2,00	3000111	
16	101	CARTER PROTEZIONE CATENA	n	1,00	3000025	
17	101	VITE M6 X 10 T.E. ZINC.	n	2,00	4010108	
	101	RONDELLE PIANE ZINC. 6 X18	n	2,00	4010109	
19	101	FINE CORSA 300 ZINC.	n	1,00	3001010Z	
20	101	MORSETTO X FILO ACCELERAT. ART=302 AMA	n	1,00	2000124	
21	101	FILO ACCELER.ZINC. CON TESTA L=750 MM ART=683 AMA	n	1,00	2000116	
22	101	PIASTRA DI APPOGGIO ZINCATA (ULTIMO TIPO)	n	1,00	3000027Z	
23	101	RIDUZIONE 1" M - 3/4" F ZINCATO	n	1,00	3000119	
24	101	CATENA GENOV.N.16 D.2,8X16 ZIN	m		070143	ml-op
25	101	S PER CATENA	n	1,00		op
26	101	PUNTALE IN PVC PER TUBO Ø 21 EST. VALPA ART.3104	n	1,00	4000116	op
27	101	BANDIERA SOST. CARRELLO	n	1,00	3000028Z	op
CONTINUA						

Esplso 1030032090
MACCHINA IRRIGAT. SPEEDY RAIN 300 GARD.32/90 (d.1/1/2000)

Note

POS. Pos. Pos. Pos.	PAG. Page Seite Pagina	DENOMINAZIONE Appellation Denomination Bezeichnung Denombrocion	U.M.	N.PEZZI N.Pieces N.Teile N.Plez	CODICE Code Code Kode Codigo	NOTE Annotation Note Aufzeichnung Nota
28	101	VITE T.E. M10X20 ZINC.	n	2,00	3000122	
29	101	RONDELLA DENTATA D.10-ZINC.	n	2,00	3000123	
30	101	SAGOMA TENDICATENA	n	1,00	3000026Z	
31	101	ALBERO SCANALATO GUIDAT. MOD.300 scan. 5x5	n	1,00	3000022	f.3001099
31	101	ALBERO SCANALATO GUIDAT. 300	n	1,00	3001022	d.3001100
32	101	VERS.2010 SCANAL. 5 X 6 GUIDATUBO SCORR.ZINC.	n	1,00	3000023Z	
33	101	NOTTOLINO MOD.300 (Ø 22 L=27)	n	1,00	3000024	f.3001099
33	101	NOTTOLINO DIAM.22 LUNGO L=33	n	1,00	4000034	d.3001100
34	101	PER 300/404/405/505 (Ø 22 L=33) BOCCHETTONE 3/4 FF ZINCATO	n	1,00	3000127	op
35	101	SEEGER I 22 (ANELLO ELASTICO)	n	1,00	3000108	
36	101	TERMINALE TUBO PE ZINC.	n	1,00	3000029Z	
37	101	FASCETTA 31X35 ART=35 MORSELLI	n	1,00	3000118	
38	101	TUBO PE BD PN6 Ø32 SP.2,8 90ML	n	1,00	TBD0320280090	
39	101	PORTAGOMMA 1/4" M. Ø13 ART=3100	n	1,00	2000108	
40	101	RUBINETTO SFERA 1/4" M.F. ART=4001 RIV	n	1,00	2000112	
41	101	CILINDRO C 40	n	1,00	CILINDROC40	
42	101	FASCETTA TERRY -HGHC 25-	n	4,00	2000111	
43	101	LEVA MOVIMENT.200 ZINC..	n	1,00	2000006Z	
44	101	LEVA DI FERMO 200 ZINC.	n	1,00	2000005Z	
45	101	TUBO AIRWATER 10 D.13X19,5	m	0,53	2000110	
46	101	PORTAGOMMA 1/2"M D.13 CURVO A 90° POLIETIL. ARAG 1132213	n	1,00	2000125	
47	101	FILTRO IN LINEA 1/2" f 100 MESH (ARAG 3242024)	n	1,00	2000118	
47	101	CARTUCCIA X FILTRO 322004/030	n	1,00	20001181	op
48	101	PORTAGOMMA 1/2"M D.13 DRITTO IN POLIET. ARAG ART.1032213	n	1,00	2000119	
49	101	VITE M.8 X 70 T.E. ZINC.	n	2,00	3000132	
50	101	RONDELLA ZINCATA 8,4 X 17	n	2,00	2000107	
51	101	DADO M8 ZINC.	n	2,00	4010107	

CONTINUA

Note

RM SPA
Via Provinciale per Cremona 41 - Fraz. San Quirico
43010 Trecasali (PR)
Tel 0521 872221 - Fax 0521 874027
Cod. Fisc e Part.IVA 00153210349

Controllo Esploso 10/0000068

Stampa del 29/07/2011

Data Creazione 31/12/2010

Data Ult. Modifica 29/07/2011 Ora 09:54

Exploso I030032090
MACCHINA IRRIGAT. SPEEDY RAIN 300 GARD.32/90 (d.1/1/2000)

Note

POS. Pos. Pos. Pos. Pos.	PAG. Page Page Seite Pagina	DENOMINAZIONE Appelation Denomination Bezeichnung Denombrocion	U.M.	N.PEZZI N.Pieces N.Pieces N.Teile N.Piez	CODICE Code Code Kode Codigo	NOTE Annotation Note Aufzeichnung Nota
52	101	ACQUASTOP 300-400	n	1,00	ACQUAST300400	
53	101	MANOMETRO DN40 ATT.POST 1/8" WIKA 8664005/TIPO 11112040	n	1,00	3000110	
54	101	PORTAGOMMA SWIFT DN27 RIV ART.3302 DN 27	n	1,00	2000102	c.55
55	101	GUARNIZIONE PER SWIFT	n	1,00		c.54
56	101	CORONA DENTATA Z.18-3/8"S	n	1,00	3000134	gr-c.2
57	101	FASCETTA 31X35 ART=35 MORSELLI	n	1,00	3000118	
	101	SEEGER E 40	n	1,00	3000103	
59	101	ANELLO DI TENUTA/GUARN.A LABBRO DEL 50	n	1,00	3000101-3000137	
60	101	CUSCIN. 6008 2RS 40X68X15	n	1,00	CUS60082RS	
61	101	SEEGER I 68	n	1,00	3000109	
62	101	MOLLA ACC. INOX Ø EST=14 . L=64 FILO 1,5 *	n	1,00	2000009	
63	101	RONDELLA ZINCATA 8,4 X 17*	n	1,00	2000107	
64	101	X-RING 011 (7,66 x 1,78) A+P (PER PORTA OR IN OTTONE *	n	2,00	2000210	
65	101	COPERCHIO ACQUASTOP 300/400 *	n	1,00	3000014	
66	101	OR 3137 "CORTECO" *	n	1,00	3000107	
67	101	SEEGER I 40 *	n	1,00	3000106	
68	101	LEVA DI COMANDO ACQUASTOP *	n	1,00	3000016	
69	101	RONDELLA INOX 5,5 X 25 *	n	1,00	3000021	
70	101	TAMPONE IN GOMMA *	n	1,00	3000013	
71	101	RONDELLA ALLUMINIO DIS.3000012 *	n	1,00	3000012	
72	101	PORTAGOMMA 1/4" M. Ø13 ART=3100	n	1,00	2000108	
73	101	RONDELLA SPACCATA M5 INOX *	n	1,00	3000129	
74	101	DADO M5 AUTOBLOCCANTE INOX *	n	1,00	2000207	
75	101	CORPO ACQUASTOP ZINC.	n	1,00	3001006Z	
76	101	SWIFT MASCHIO 1"1/4 ART=3301 RIV	n	1,00	4010133	
77	101	COPERCHIO CIL. IN PVC	n	1,00	2000215	
78	101	PORTA OR PER CILINDRO IN OTTONE	n	1,00	2000205	

CONTINUA

.c

RM SPA
 Via Provinciale per Cremona 41 - Fraz. San Quirico
 43010 Trecasali (PR)
 Tel 0521 872221 - Fax 0521 874027
 Cod. Fisc e Part.IVA 00153210349

Controllo Esploso 10/0000068
 Data Creazione 31/12/2010
 Data Ult. Modifica 29/07/2011 Ora 09:54

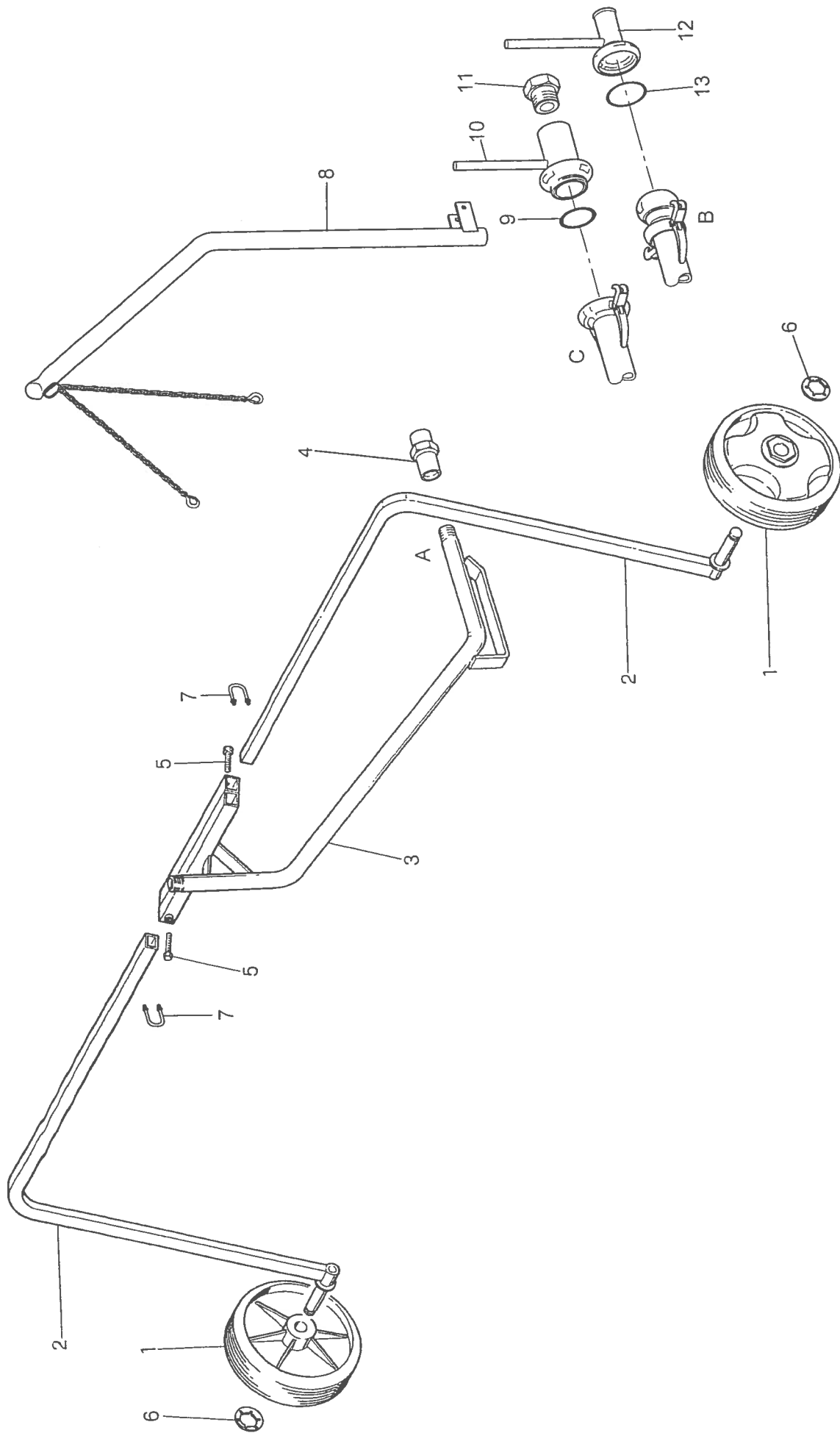
Stampa del 29/07/2011

Esploso 1030032090
MACCHINA IRRIGAT. SPEEDY RAIN 300 GARD.32/90 (d.1/1/2000)

Note

POS. Pos. Pos. Pos.	PAG. Page Seite Pagina	DENOMINAZIONE Appellation Denomination Bezeichnung Denombrocion	U.M.	N.PEZZI N.Pieces N.Pieces N.Teile N.Piez	CODICE Code Code Kode Codigo	NOTE Annotation Note Aufzeichnung Nota
79	101	X-RING 011 (7,66 x 1,78) A+P (PER PORTA OR IN OTTONE) COD.1148010011	n	1,00	2000210	
80	101	ASTINA INOX D.5 X 100	n	1,00	2000204	
81	101	MOLLA INOX X CILINDRI	n	1,00	2000206	
82	101	STELO IN PVC X C40	n	1,00	2000202	
83	101	X-RING 330 (53,34 x 5,34) A+P (PER STELO C40) COD.1148010330	n	1,00	2000212	
84	101	PIATTELLO IN NEOPRENE	n	1,00	2000213	
85	101	DADO M5 AUTOBLOCCANTE INOX	n	1,00	2000207	
86	101	RONDELLA PIANA D. 5X8 ZN	n	1,00	2000208	
87	101	SEEGER I 65	n	1,00	2000209	
88	101	CULATTA IN PVC X C40	n	1,00	2000203	
89	101	OR 3237 (X CULATTA)	n	1,00	2000211	
90	101	PORTAGOMMA 1/4" M. Ø13 ART=3100	n	1,00	2000108	
91	101	CAMICIA IN PVC X C40	n	1,00	2000201	
92	101	X-RING 330 (53,34 x 5,34) A+P (PER STELO C40) COD.1148010330	n	1,00	2000212	
93	101	GETTO SIME FUNNY A SETTORI SIME ART.10018	n	1,00	GETFUNNY	
94	101	TARGHETTA MATRICOLA RM048	n	1,00	7000098	
95	101	LUBRIFICANTE AL SILICONE LWS	n	1,00	2000126	
96	101	TAPPO X GIUNTO GIREV.ACQUASTOP	n	1,00	TAPPO300400	POS.62-63-64-65-66-68-69-70-71-73-74
97	101	SET GUARNIZIONI OR X CILINDRO	n	1,00	GUARNC40	POS.79-83-84-89-92

Note



CARRELLO PORTA IRRIGATORE "SPEEDY RAIN" MOD. 300-400-501
 SPRINKLER-HOLDING CARRIER "SPEEDY RAIN" MODEL 300-400-501
 CHARIOT PORT-IRRIGATEUR "SPEEDY RAIN" MODÈLE 300-400-501
 WAGEN FÜR BEWÄSSERUNGSAPPARAT "SPEEDY RAIN" MOD. 300-400-501
 RIJDEND ONDERSTEL VOOR SPROEIER "SPEEDY RAIN" TYPE 300-400-501



S.p.A.

S. QUIRICO DI TRECASALI
 (PARMA)-ITALIA

RM SPAVia Provinciale per Cremona 41 - Fraz. San Quirico
43010 Trecasali (PR)

Tel 0521 872221 - Fax 0521 874027

Cod. Fisc e Part.IVA 00153210349

Controllo Esploso 10/0000079

Stampa del 25/01/2011

Data Creazione 31/12/2010

Data Ult. Modifica 25/01/2011 Ora 16:53

Esploso**CARRELLO SPEEDY 300**

Note

POS. Pos. Pos. Pos.	PAG. Page Page Seite Pagina	DENOMINAZIONE Appelation Denomination Bezeichnung Denombrocion	U.M.	N.PEZZI N.Pieces N.Teile N.Piez	CODICE Code Code Kode Codigo	NOTE Annotation Note Aufzeichnung Nota
1	106	RUOTA D.200 X 50 MOZZO D.20	n	2,00	2000115	i.2001115
1	106	RUOTA 3.00 X 4" GARDEN 2PR SU CERCHIO NYLON ROSSO FORO D.20 L=75	n	2,00	2001115	op
2	106	GAMBE CARRELLO 300	n	2,00	3000302Z	
3	106	CARRELLO IRRI.300	n	1,00	3000301Z	TIPO A
4	106	BOCCHETTONE 3/4 FF ZINCATO	n	1,00	3000127	
5	106	DADO MEDIO M 10 ZINC.	n	2,00	4000112	
6	106	RONDELLA DI FERMO ASSIALE D.20 TARCHI ART.RDF20	n	2,00	2000114	
7	106	CAVALLOTTO QUADRO M 10 TCA COD.CQM0440X40	n	2,00	5400113	
8	106	BANDIERA SOST. CARRELLO + ML. 0,80 CATENA		1,00	3000028Z+070143	

Note

Check List

Rewind Problems for Speedy Rain 300-405-505 Irrigators

1. Pull all but one coil of hose off the drum.
2. Check that the bottom of the hoseguide fork vertical members is straddling steel tube which runs across the width of the frame.
 - Check that the gap between vertical members is not too wide (there needs to be a working clearance for the PET hose and Trolley to pass between them).
 - Check that the internal circlip is in place which locates the hoseguide bar plunger into the top of the guide fork.
3. Check the hoseguide bar for any signs of damage.
4. Check that both sprockets are attached securely to their relevant shafts.
5. When aligning the hoseguide, slacken the chain and remove.
 - Turn the hoseguide bar so that the guide is laying hose neatly against the side of the previous coil on the drum.
 - Refit the chain and remove the slack from the chain.
 - Revolve the drum through a complete revolution, checking the guide for alignment.
 - It may be necessary to repeat the above, setting alignment at its average.
6. Check the hose is being recoiled onto the drum correctly and starts its next layer correctly.

NOTE – be aware that the hoseguide is traversing the correct way. If not, it will be necessary to remove chain, rotate the hoseguide bar so that the guide fork changes direction at the end of the bar and then carry out instruction 5 again.

7. It is important to note that if it is decided to recoil the hose onto the drum by hand, without water pressure in the hose, it may not rewind correctly as the hose may go slightly oval in shape.
8. When the hose is being unwound it is better to do this operation by mechanical means and not by hand as it is more possible to get loose hose on the drum and 'kink' the hose when completing this operation by hand.
 - On Speedy Rain 405-505 models make sure the brake pad is applied to the drum rim and the hose is pulled out at a constant slow speed. DO NOT suddenly stop, as the drum can keep turning and this will leave any remaining hose loose on the drum.
 - The hose will be rewound neatly if all but a few coils are pulled off. If this is not possible as the irrigation run is not long enough, then make sure any remaining hose is left packed tightly and neatly onto the drum.
 - If it is not possible to do a long run each time the irrigator is used, it is good practice to do one every 4 or 5 runs in order to get the hose rewound tightly onto the drum.

August 2010